

1	2	3	4	5	6
A					A
B					B
C					C
D					D
1	2	3	4	5	6

Sheet: POW

File: POW.sch

Sheet: SPLIT

File: SPLIT.sch

Sheet: PROC_1

File: PROC_1.sch

Sheet: PROC_2

File: PROC_2.sch

Sheet: PROC_3

File: PROC_3.sch

Sheet: MIXER

File: MIXER.sch

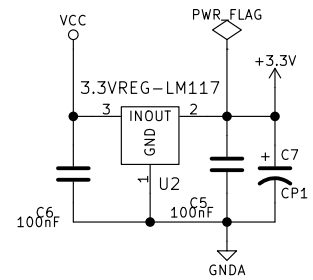
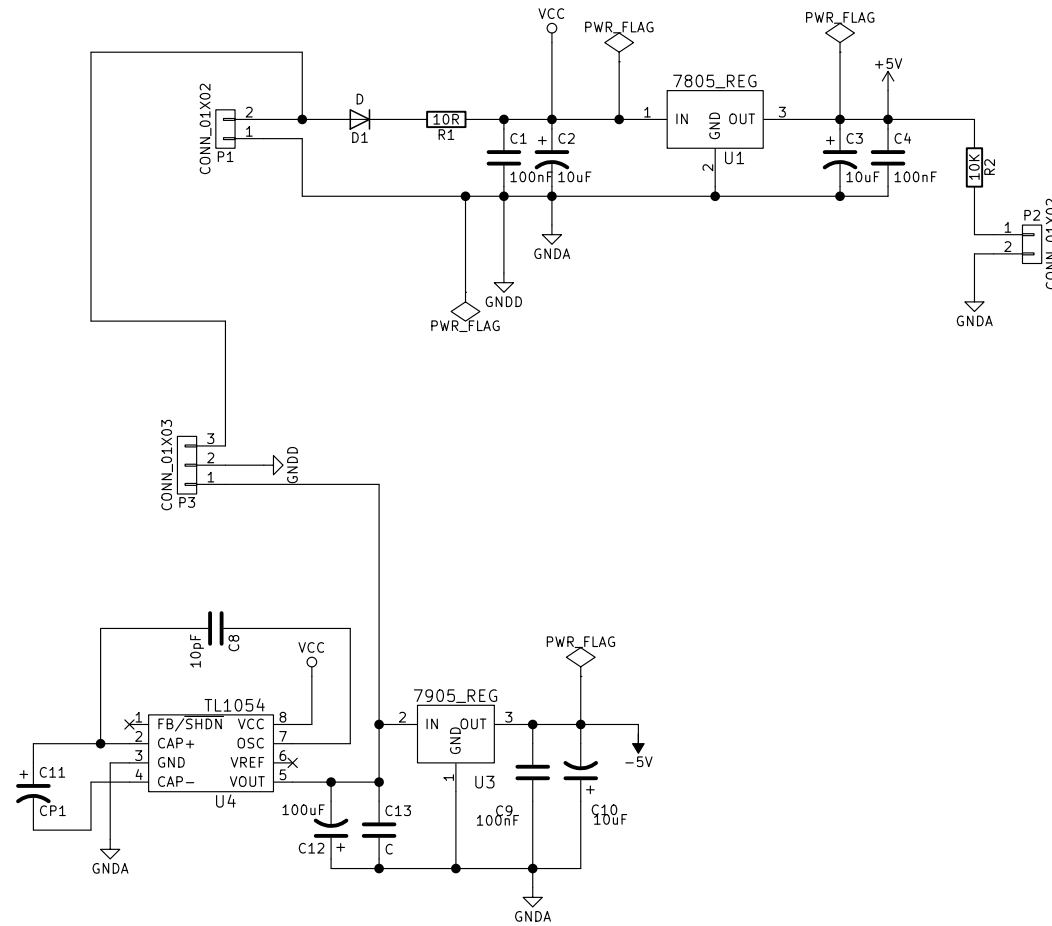
Sheet: CTRL

File: CTRL.sch

Sheet: VERT_TRANS

File: VERT_TRANS.sch

Sheet: /		
File: processor.sch		
Title:		
Size: A4	Date:	Rev:
KiCad E.D.A. kicad 5.1.9		Id: 1/9



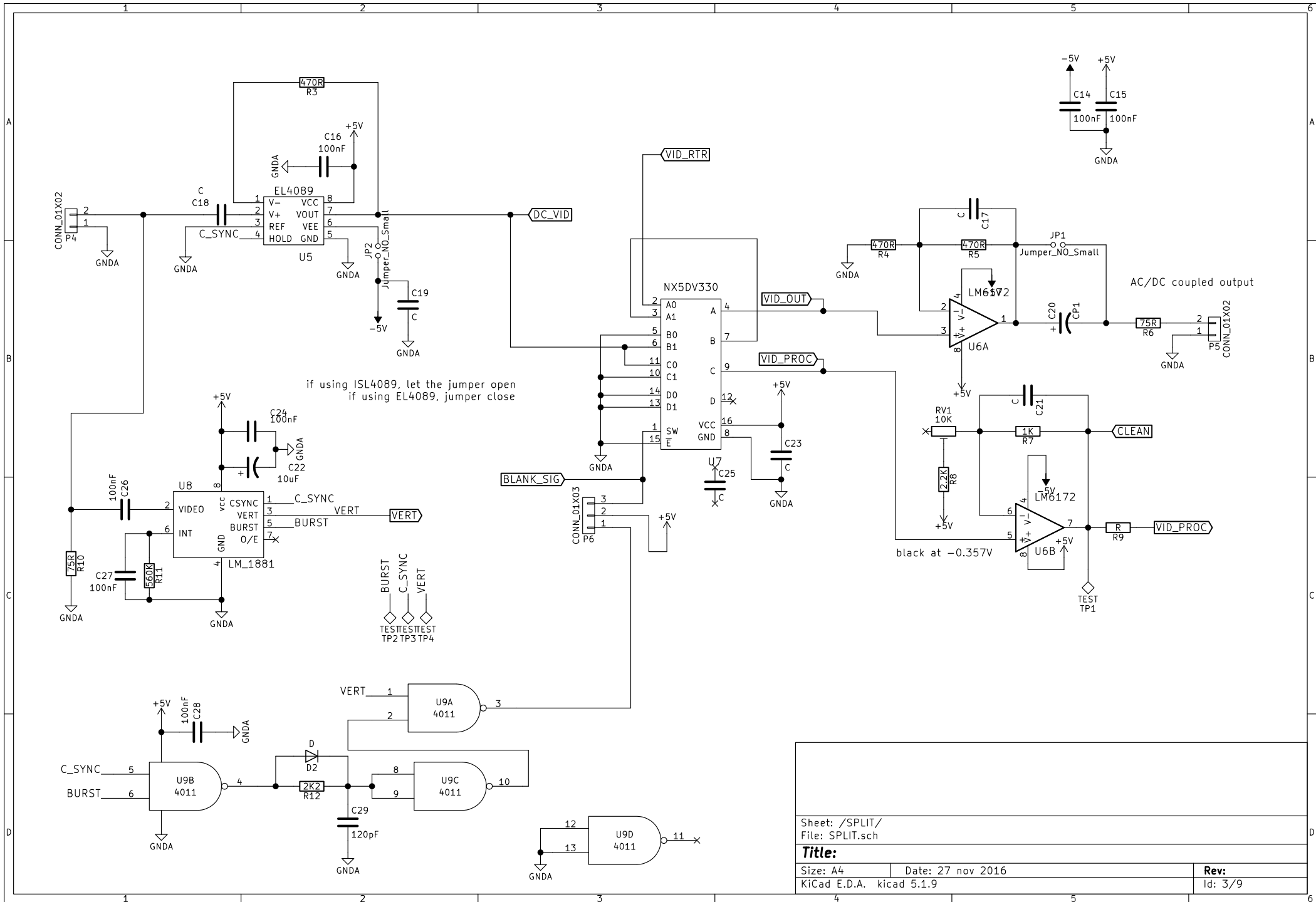
Sheet: /POW/
File: POW.sch

Title:

Size: A4
KiCad E.D.A. kicad 5.1.9

Date:

Rev:
Id: 2/9



Sheet: /SPLIT/		Date: 27 nov 2016	
File: SPLIT.sch		Rev:	
Size: A4	KiCad E.D.A. kicad 5.1.9		Id: 3/9

	1	2	3	4	5	6
A						A
B						B
C						C
D						D
	1	2	3	4	5	6

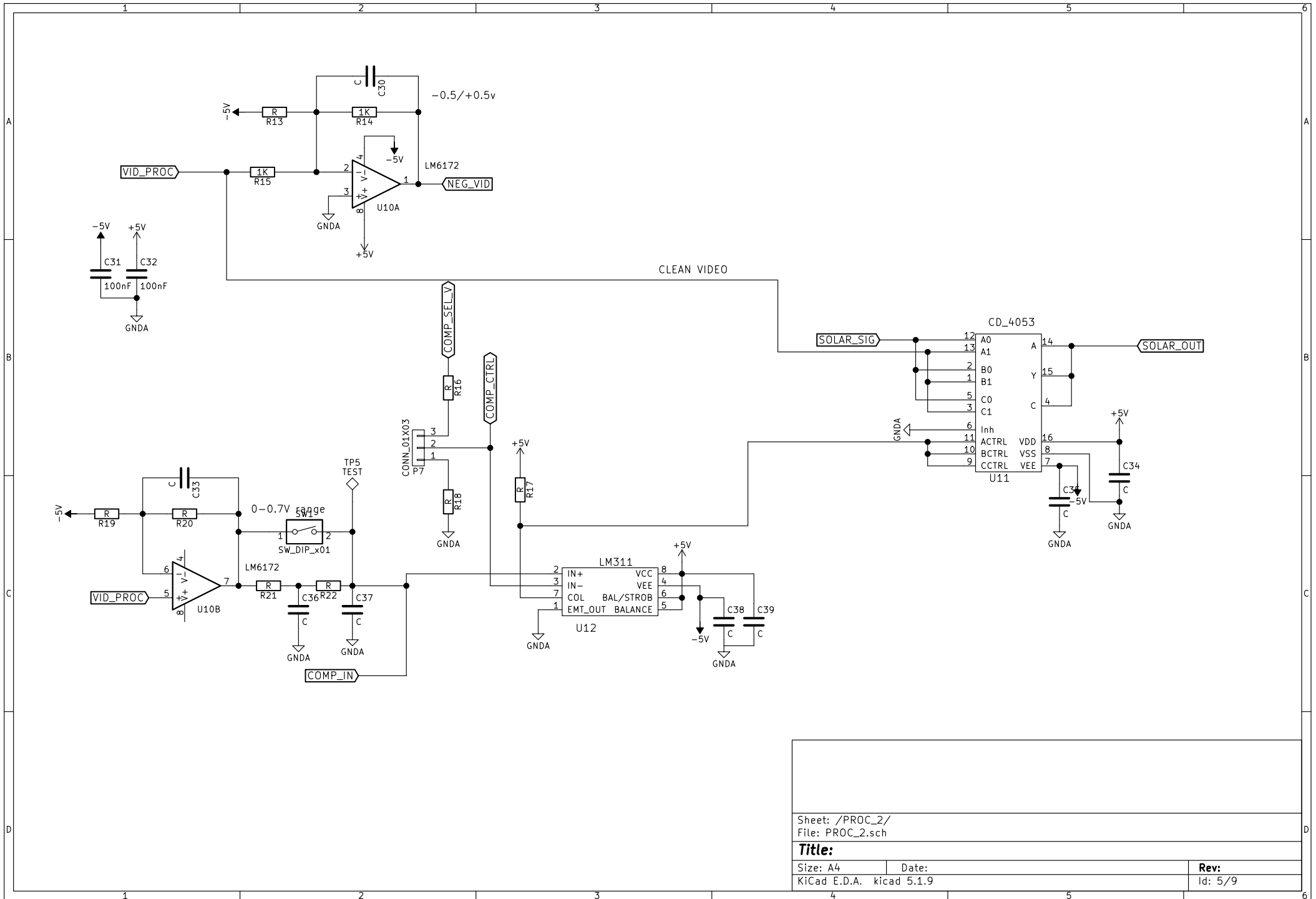
--	--

Sheet: /PROC_1/
File: PROC_1.sch

Title:

Size: A4	Date:	Rev:
----------	-------	-------------

KiCad E.D.A. kicad 5.1.9	Id: 4/9
--------------------------	---------



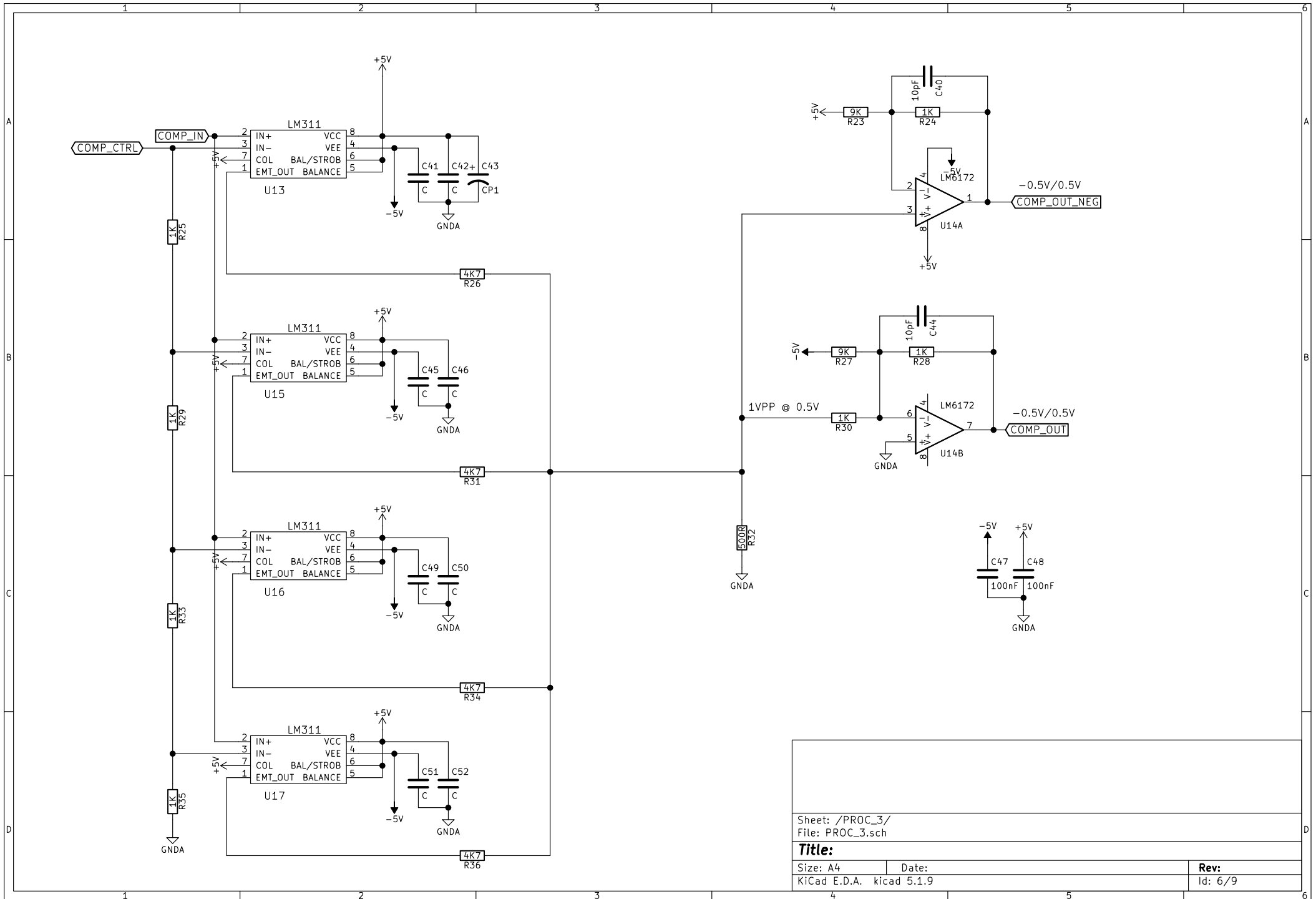
Sheet: /PROC_2/
 File: PROC_2.sch

Title:

Size: A4
 KiCad E.D.A. kicad 5.1.9

Date:

Rev:
 Id: 5/9



Sheet: /PROC_3/
File: PROC_3.sch

Title:

Size: A4

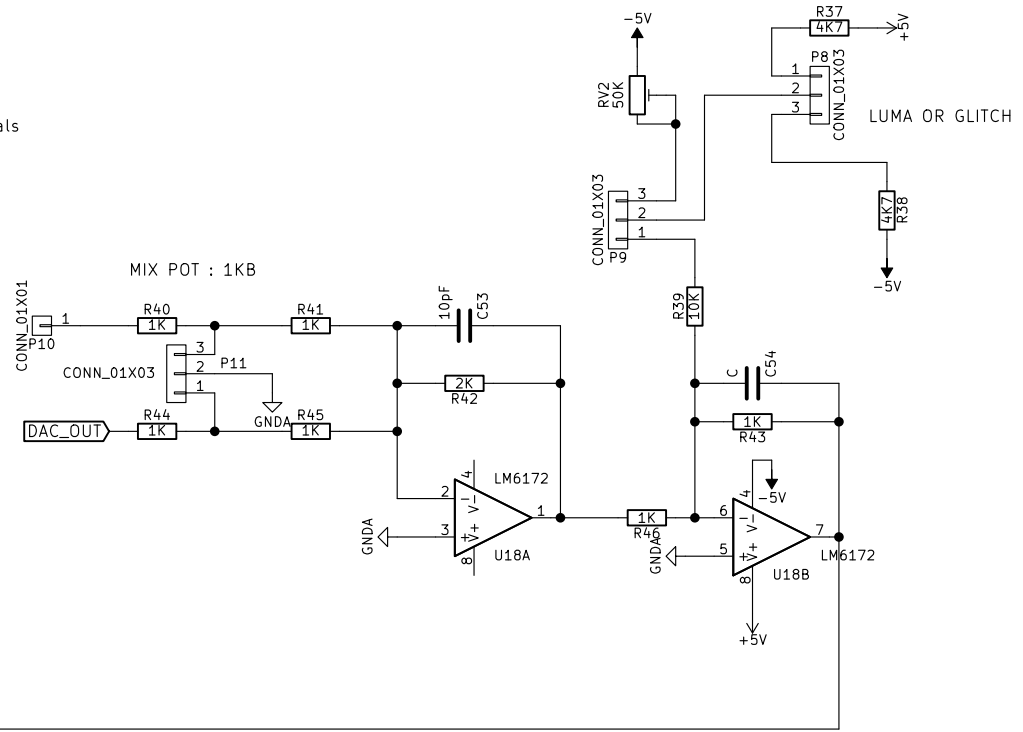
Date:

KiCad E.D.A. kicad 5.1.9

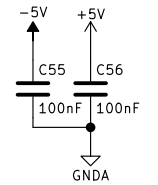
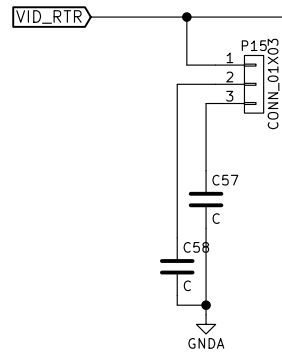
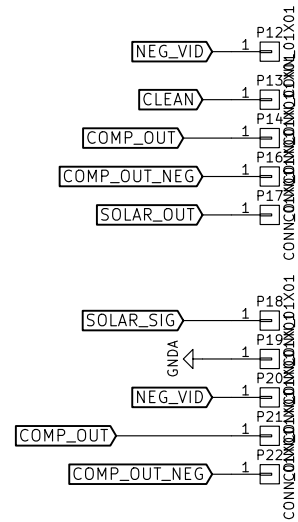
Rev:

Id: 6/9

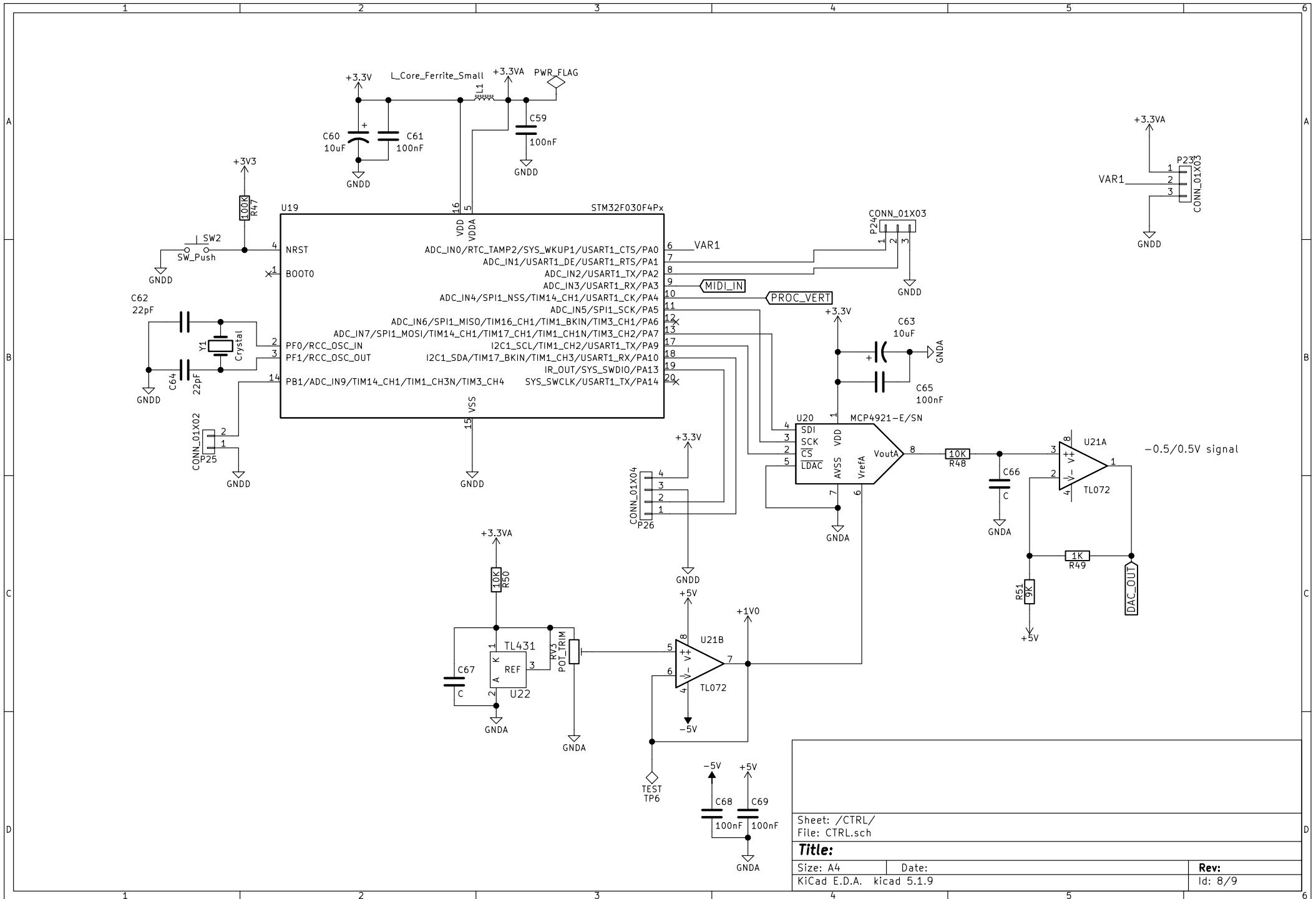
revome all dc offset at this point
to avoid added offset for each signals



bring back the signal into its original range - 0-0.7V



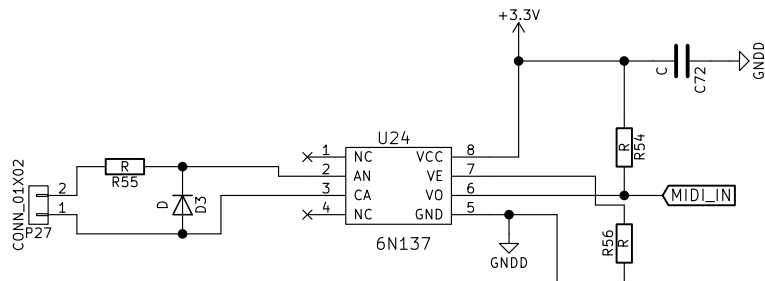
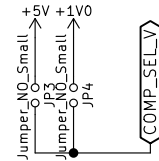
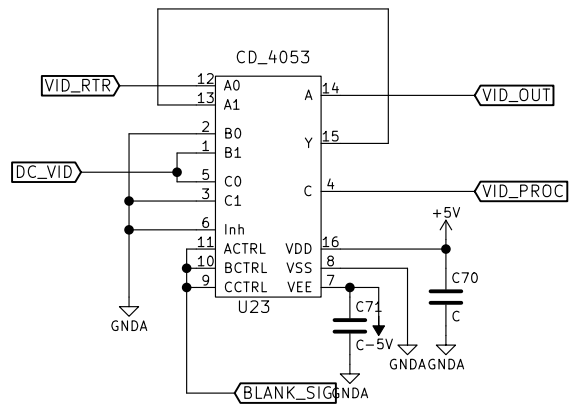
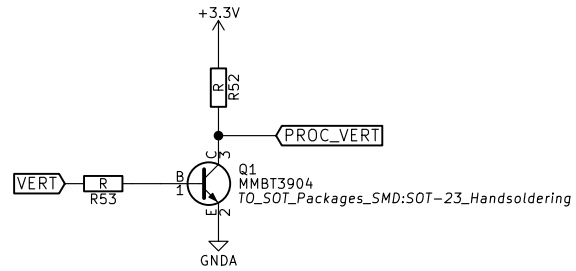
Sheet: /MIXER/		Date:	
File: MIXER.sch		Rev:	
Size: A4	KiCad E.D.A. kicad 5.1.9	Id: 7/9	



Sheet: /CTRL/
File: CTRL.sch

Title:

Size: A4	Date:
KiCad E.D.A. kicad 5.1.9	Rev: Id: 8/9



Sheet: /VERT_TRANS/
File: VERT_TRANS.sch

Title:

Size: A4

Date:

KiCad E.D.A. kicad 5.1.9

Rev:

Id: 9/9