

1 2 3 4 5 6

A

A

B

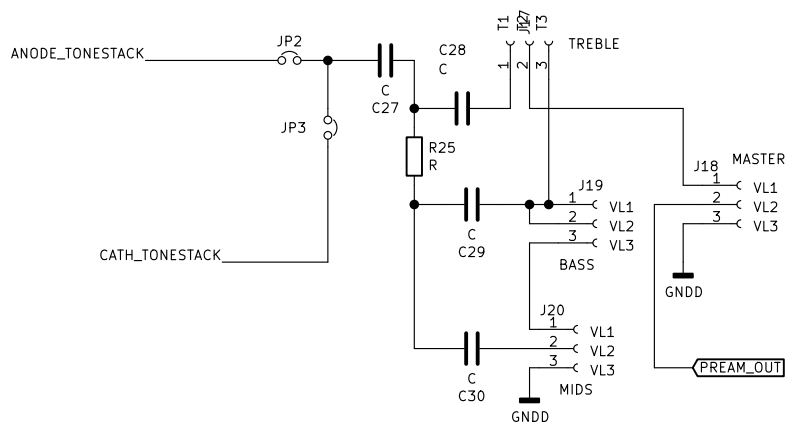
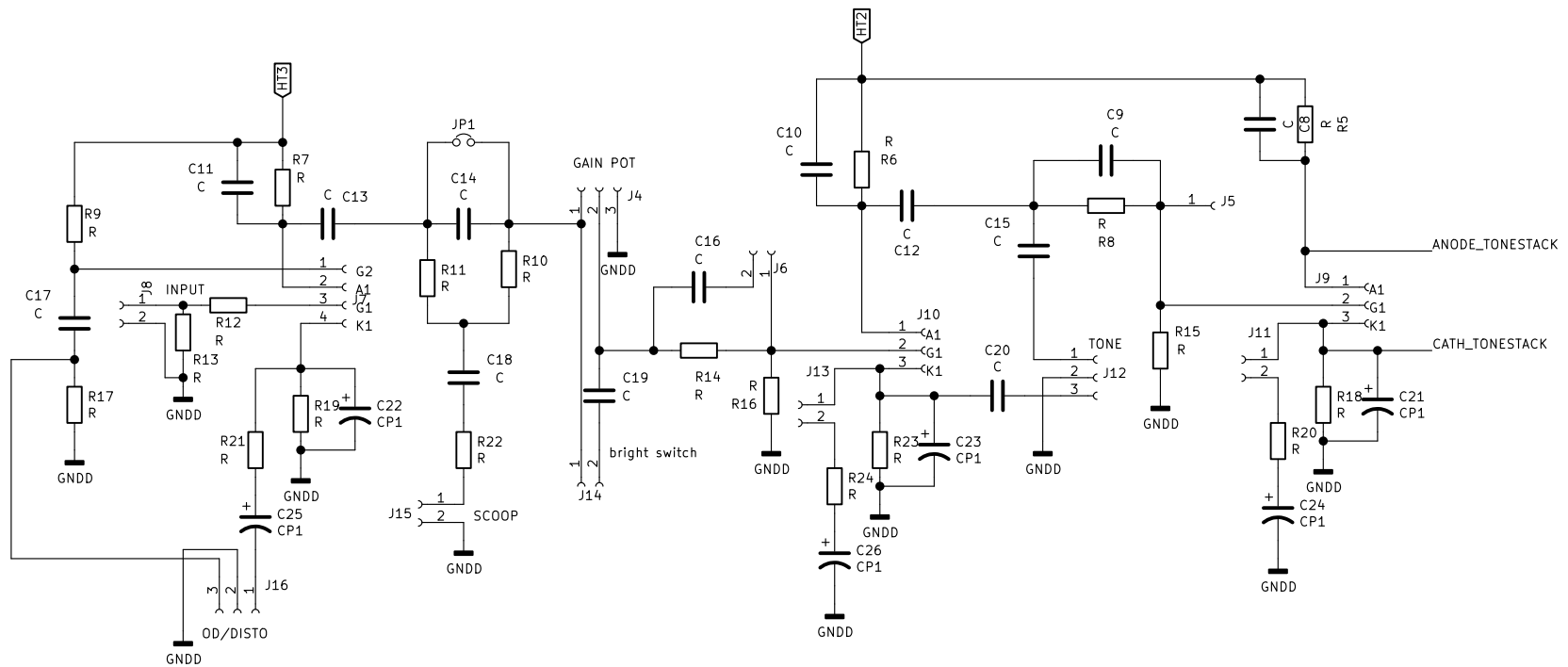
B

C

C

D

D



Sheet: /PREAMP/  
 File: PREAMP.sch  
**Title:**  
 Size: A4 Date:  
 KiCad E.D.A. kicad 5.1.9 Id: 3/6

1 2 3 4 5 6